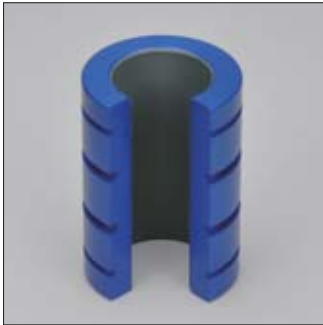
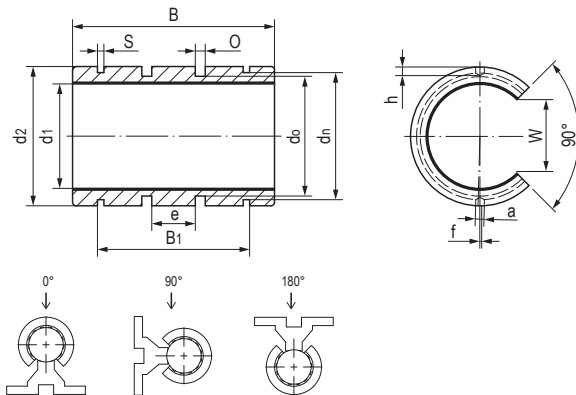


LINP-11RK 开口式直线轴承 Linear bearings, open



- 开口设计，配合支撑轴
- 高精度与滚珠轴承相同
- 标准滑动膜材料TEFPLAS® B
可选高耐磨材料TEFPLAS® G和符合FDA标准材料TEFPLAS® E
- 阳极氧化铝合金适配器
- 免维护、低噪音
- 使用温度 ± 200℃
- Open design for supported shafts
- High precision similar to preloaded ball bearing
- Standard liner material TEFPLAS® B
Available materials: TEFPLAS® G and E
- Anodized aluminum adapter
- Maintenance-free and low noise
- Operation temperature ± 200℃

标准规格 Standard specifications



产品编码 Part No.:

LINPB-11RK-08-C

- 补偿间隙 Compensated Clearance
- 内径 Inner diameter
- 开口式保持器 Open, aluminum adapter
- 长设计 Long design
- 滑动膜材料 Liner material: B/G/E

座孔 Housing: H7 轴 Shaft: h6-h7

产品编码 Part No.	d ₁ [mm]	公差 Tolerance [mm]	d ₂ h6 [mm]	B h10 [mm]	B ₁ H10 [mm]	d ₁ h10 [mm]	s H10 [mm]	O H10 [mm]	do H10 [mm]	e [mm]	W-1 [mm]	a+0.1 [mm]	h [mm]	f ± 0.2 [mm]
LINPB-11RK-08	8	+0.013/+0.035	16	25	16.0	15.2	1.10	1.86	13.20	5	5.50	/	/	/
LINPB-11RK-10	10	+0.013/+0.035	19	29	21.6	17.5	1.30	1.86	15.40	5	7.30	/	/	/
LINPB-11RK-12	12	+0.016/+0.043	22	32	22.6	20.5	1.30	1.86	18.40	6	9.00	3.0	1.2	1.33(7°)
LINPB-11RK-16	16	+0.016/+0.043	26	36	24.6	24.2	1.30	2.86	20.40	8	11.60	2.2	1.2	/
LINPB-11RK-20	20	+0.020/+0.053	32	45	31.2	29.6	1.60	2.86	26.40	10	12.00	2.2	1.2	/
LINPB-11RK-25	25	+0.020/+0.053	40	58	43.7	36.5	1.85	2.86	34.40	12.5	14.50	3.0	1.5	-1.50(-4.3°)
LINPB-11RK-30	30	+0.020/+0.053	47	68	51.7	43.5	1.85	2.86	41.40	15	16.60	3.0	2.0	2.00(4.9°)
LINPB-11RK-40	40	+0.020/+0.064	62	80	60.3	57.8	2.15	2.86	56.40	20	21.00	3.0	2.0	1.50(2.8°)
LINPB-11RK-50	50	+0.020/+0.064	75	100	77.3	70.5	2.65	2.86	69.40	25	25.50	3.0	2.0	2.50(3.8°)

产品编码 Part No.	轴径 Shaft [mm]	座孔 Housing [mm] H7	F max. [N] 材料 Material: B 最大动载荷 Dynamic Load			F max. [N] 材料 Material: B 最大静载荷 Static Load			重量 Weight [g]
			0°	90°	180°	0°	90°	180°	
LINPB-11RK-08	8	16	2000	1725	625	4000	3450	1250	8
LINPB-11RK-10	10	19	2900	2442	783	5800	4884	1566	11
LINPB-11RK-12	12	22	3840	3190	960	7680	6381	1920	15
LINPB-11RK-16	16	26	5760	4864	1584	11520	9727	3168	21
LINPB-11RK-20	20	32	9000	8100	3600	18000	16200	7200	42
LINPB-11RK-25	25	40	14500	13154	6090	29000	26309	12180	70
LINPB-11RK-30	30	47	20400	18700	9112	40800	37400	18224	132
LINPB-11RK-40	40	62	32000	29600	15200	64000	59200	30400	278
LINPB-11RK-50	50	75	50000	46650	25000	100000	93300	50000	479